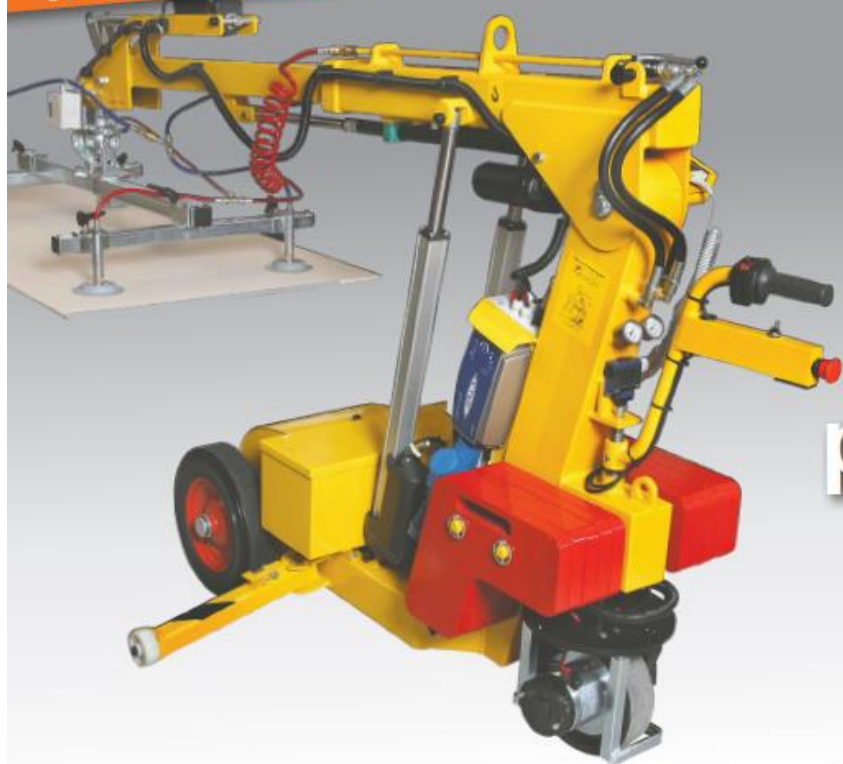


For plasterboard,
fibre board etc.

Smart Lift
DENMARK

SL Gipsy
for indoor use



Handles plasterboards the easy way

Smartlift has developed a special version of the popular self-driven Smartlift which has been designed for working with plasterboard, fibre board, etc.

- Two vacuum circuits with two pumps
- Stepless in all its movements
- Automatic setting to horizontal or vertical position via gyro system
- Double speed on lift, extension and tilt
- Self-propelled
- Labour-saving
- Enhances the working environment
- Tried-and-tested Danish quality



SL Gipsy has a built-in gyro system to allow the lift to find a horizontal or vertical position quickly and automatically.

Smart Lift
DENMARK



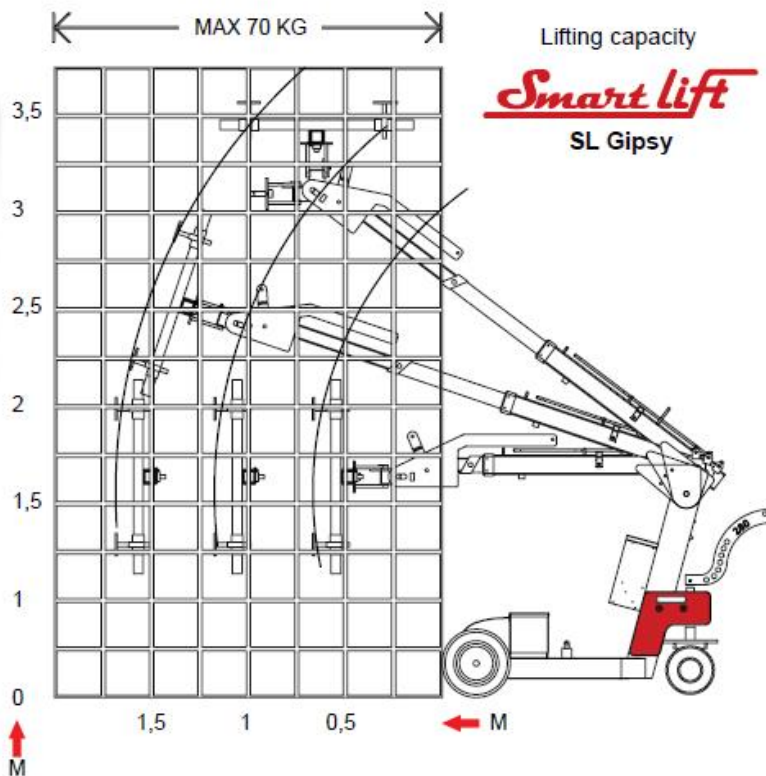
The lift has a side extension to the last correction of the plasterboards before installation.



The beam has a manual extension in addition to the electrical.

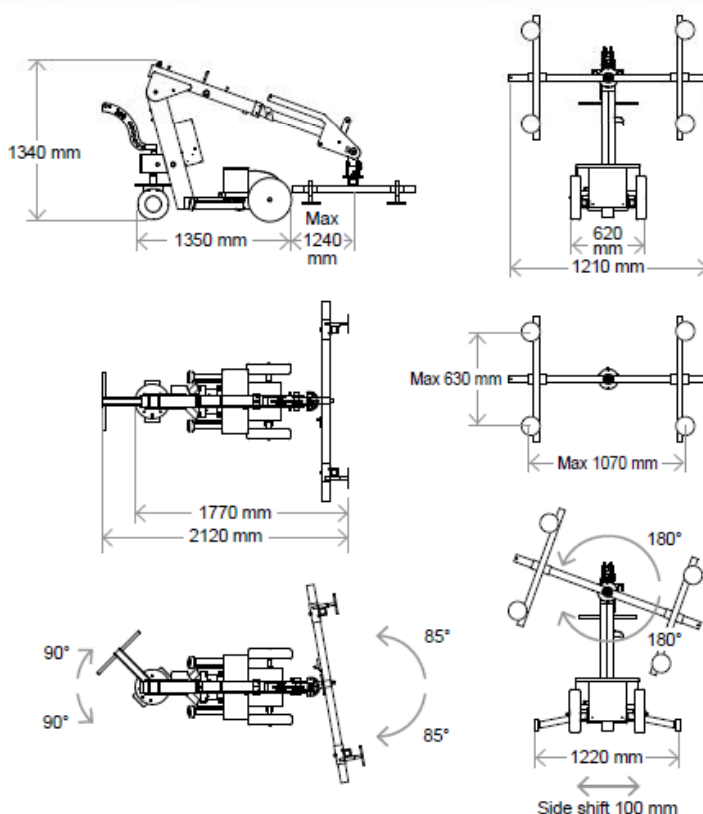


SL Gipsy runs at double speed when lifting, extending and tilting, and therefore meets demands for a rapid tempo often required in fitting work.



Technical data

| Description | Value |
|--------------------------|----------------------|
| Weight | 480 kg |
| Height | 1340 mm |
| Width (min) | 620 mm |
| Length (min) | 2120 mm |
| Extension of arm | 500 mm |
| Tip from horizontal | 50° back/50° forward |
| Side shift | 100 mm |
| Voltage charger | 230 volt |
| Integrated charger | MXT 14 |
| Charging time | Approx 8 hours |
| Battery (2x12 v) 24 volt | 2 x 60 A |
| Running period | Approx 24 hours |
| Propelling engine | 700 Watt |
| Suction discs | 4 x Ø 125 mm |



NEED IT → GOT IT

Crane Mate Australia P/L
Walter M Grdovic

M: +61 (0) 417 055 451
F: +61 (07) 5302 6470
PO Box 1331, Mooloolaba
Queensland, Australia 4557
Dealer Licence No: 3458174
E-mail: walter@cranemate.com.au
Web: www.cranemate.com.au



ZONE SOLUTIONS P/L
Joe Ardizzone

M: +61 (0) 408 945 279
P: +61 (08) 9459 8214
113 Victoria Rd Kenwick
Western Australia, 6107
E-mail: joe@zonesolutions.com.au