

SMARTLIFT SL580 Maxi

Smart lift
DENMARK



Smart lift
DENMARK

580KG CAPACITY

ROUGH TERRAIN

COMPACT 0.78M

DOUBLE VAC SYSTEM

EFFICIENT

ERGONOMIC

MULTI-FUNCTIONAL

TELESCOPIC ARM



NEED IT → GOT IT

**Crane Mate Australia P/L
Walter M Grdovic**

M: + 61 (0) 417 055 451

F: +61 (07) 5302 6470

PO Box 1331, Mooloolaba

Queensland, Australia 4557

Dealer Licence No: 3458174

E-mail: walter@cranemate.com.au

Web: www.cranemate.com.au

ZONE
SOLUTIONS

ZONE SOLUTIONS P/L

Joe Ardizzone

M: +61 (0) 408 945 279

P: +61 (08) 9459 8214

113 Victoria Rd Kenwick

Western Australia, 6107

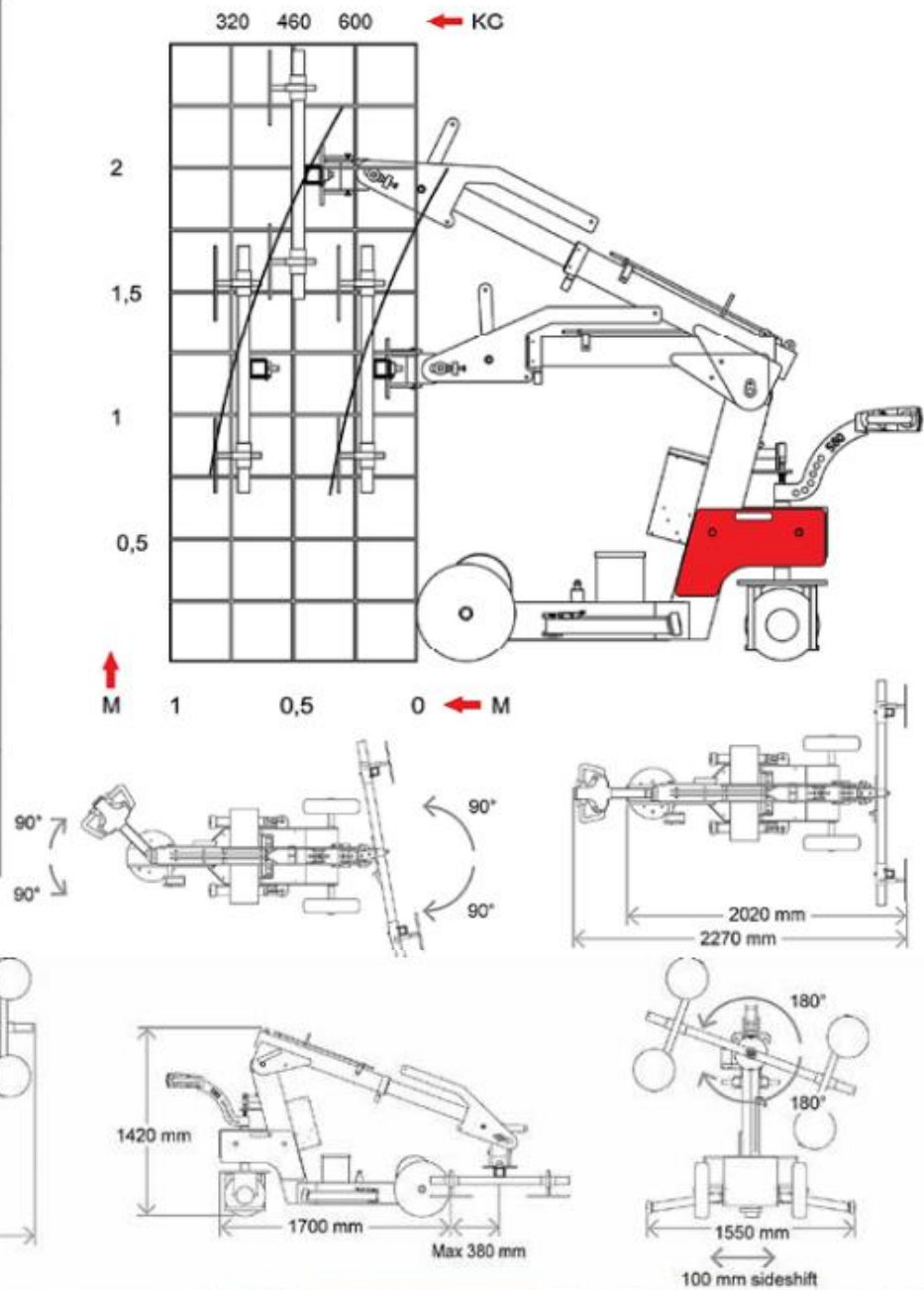
E-mail: joe@zonesolutions.com.au

SMARTLIFT SL580

Maxi



	24V
	700 kg
	Ø300 mm
	Variabel
	580 kg
	35° / 100°
	360°



NEED IT → GOT IT

Crane Mate Australia P/L
Walter M Grdovic
 M: + 61 (0) 417 055 451
 F: +61 (07) 5302 6470
 PO Box 1331, Mooloolaba
 Queensland, Australia 4557
 Dealer Licence No: 3458174
 E-mail: walter@cranemate.com.au
 Web: www.cranemate.com.au



ZONE SOLUTIONS P/L
Joe Ardizzone
 M: +61 (0) 408 945 279
 P: +61 (08) 9459 8214
 113 Victoria Rd Kenwick
 Western Australia, 6107
 E-mail: joe@zonesolutions.com.au