

SKY LIFTER SL400

Smart lift
DENMARK



GLASS-MANIPULATOR

- 400KG CAPACITY
- REMOTE CONTROL
- 3D MOVEMENT FUNCTION
- ACUTE PRECISION
- COMPACT
- DOUBLE VAC SYSTEM
- EFFICIENT
- ERGONOMIC
- MULTI-FUNCTIONAL

**ELECTRIC MANIPULATOR
FOR THE INSTALLATION OF
CONTRACTOR MACHINES**

**Crane Mate Australia P/L
Walter M Grdovic**

M: + 61 (0) 417 055 451
F: +61 (07) 5302 6470
PO Box 1331, Mooloolaba
Queensland, Australia 4557
Dealer Licence No: 3458174
E-mail: walter@cranemate.com.au
Web: www.cranemate.com.au



NEED IT → GOT IT

ZONE
SOLUTIONS

**ZONE SOLUTIONS P/L
Joe Ardizzone**

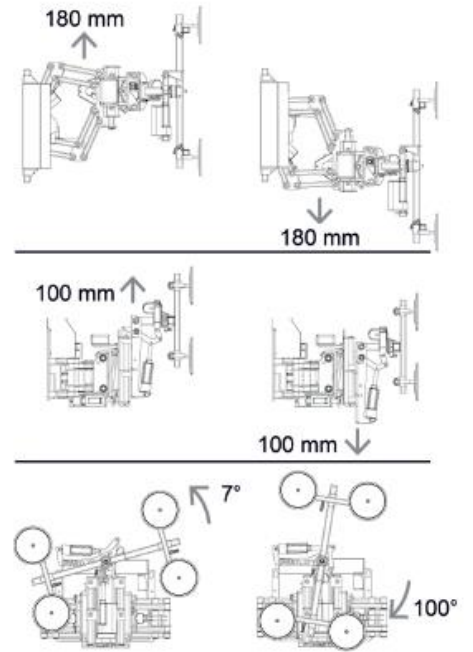
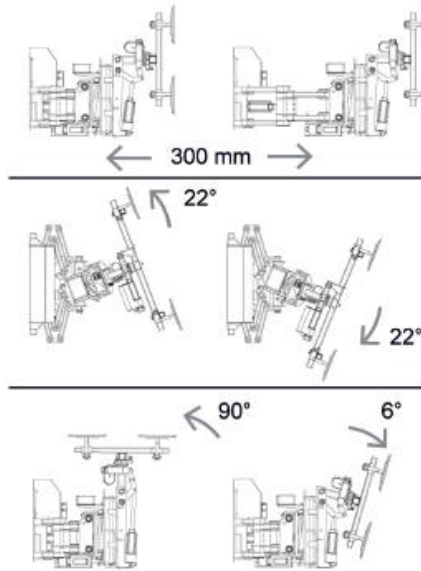
M: +61 (0) 408 945 279
P: +61 (08) 9459 8214
113 Victoria Rd Kenwick
Western Australia, 6107
E-mail: joe@zonesolutions.com.au

SKY LIFTER SL400

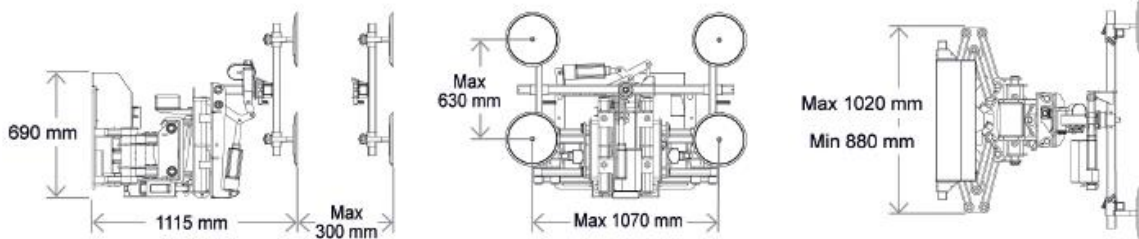


	24V
	350 kg
	Ø400 mm
	Variabel
	400 kg
	90° / 6°
	107°

Movements SKY LIFTER SL400



Afmetingen



Crane Mate Australia P/L
Walter M Grdovic
 M: + 61 (0) 417 055 451
 F: +61 (07) 5302 6470
 PO Box 1331, Mooloolaba
 Queensland, Australia 4557
 Dealer Licence No: 3458174
 E-mail: walter@cranemate.com.au
 Web: www.cranemate.com.au



ZONE SOLUTIONS P/L
Joe Ardizzone
 M: +61 (0) 408 945 279
 P: +61 (08) 9459 8214
 113 Victoria Rd Kenwick
 Western Australia, 6107
 E-mail: joe@zonesolutions.com.au